

GoPac2

Multi-Function HD/SD COFDM Transmission System



APPLICATIONS:

- Compliment any existing ENG vehicle with a portable microwave transmitter
- Wireless camera transmitter
- Helicopter and UAV links
- Tripod mounted portable and mobile video/data links

FEATURES:

Amplifier Docking Station:

- Available 1.99 to 2.5 GHz/2.3 to 2.7 GHz, and 6.4 GHz to 7.1 GHz
- RF output power: 1 to 5 W, 7 Ghz; 1 to 10 W, 2 Ghz (high power option) integrated
- CamPac2 and GoPac2 amplifier can be separated by up to 50 feet
- Universal AC/DC power supply
- Solid compact construction

CamPac2 (see separate data sheets for details):

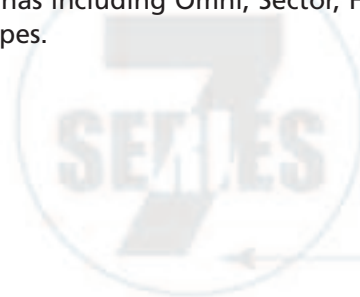
- Variable RF output up to 200 mW
- COFDM DVB-T compliant 6 to 8Mhz
- Variable COFDM bandwidth from 5 to 16 MHz
- Input: ASI, HD/SD SDI, composite and component video
- HD 1080i/720P (all frame rates) 4:2:2/4:2:0 encoding
- SD - NTSC, 480P, PAL, 576P 4:2:2/4:2:0 encoding
- Ultra-low one-frame system latency
- Compatible with all STD Nucomm accessories

Digital RF high-power amplifier docking station with outputs to 10 watts. Based on Nucomm's award winning wireless miniature COFDM transmitter, the GoPac2 system is a multi-functional transmitter with amplifier docking station that can be used for virtually any ENG application. The CamPac2 COFDM transmitter can be detached and used on a HD or SD camera or attached to the GoPac2 power amplifier docking station to be used on tripods, ENG vehicles or helicopters. The two units can be separated by up to 50 feet of RF cable.

The CamPac2 transmitter includes an integrated MPEG2 encoder/variable bandwidth COFDM modulator. The high quality MPEG2 encoder can be configured for both HD and SD applications or as an SD only system, both versions have an ultra low latency mode for sports coverage. Unclip the transmitter from the camera and snap into the GoPac2's docking station/amplifier and you have the ability to convert any standard car or truck into a fast-response news gathering vehicle. Combine this system with one or more of Nucomm's Newscaster DR diversity receive systems and you have the ultimate in fast-response urban ENG coverage.

Nucomm's new variable bandwidth COFDM modulator offers very high data rates through efficient use of available bandwidth. The CamPac2 can achieve data rates of up to 50 Mbps with various modulation options available. Standard single carrier mode is also available to ensure compatibility with any DVB-T standard system.

The GoPac2 and companion CamPac2 can be configured as either a 2 or 7 GHz system. The CamPac2 RF module is field replaceable. Nucomm offers a wide variety of antennas including Omni, Sector, Horn, or various size reflector and feed types.



GoPac2

Multi-Function Digital/COFDM Transmission System

Frequency Range:

Band 1:	1.99 GHz – 2.5 GHz
Band 2:	2.3 GHz – 2.7 GHz
Band 3:	6.40 GHz – 7.1 GHz

RF Output Power:

CamPac2	
Programmable:	10 mW to 200 mW
Nominal:	200 mW

GoPac2

1.9-2.5 or 2.3-2.7 GHz Version "L5":	High, 37dBm Med, 31dBm Low, 25dBm
---	---

1.9-2.5 or 2.3-2.7GHz Version "L9":	High, 39dBm Med, 33dBm Low, 27dBm
--	---

6.4-7.2GHz Version E1.5:	High, 31dBm Med, 25dBm Low, 19dBm
--------------------------	---

6.4-7.2GHz Version J3.5:	High, 35dBm Med, 29dBm Low, 23dBm
--------------------------	---

7.1-7.7GHz Version E1.5:	High, 31dBm Med, 25dBm Low, 19dBm
--------------------------	---

Power:

Input Range	11 to 32 Volts DC, under voltage and reverse polarity protection
Input (optimal AC)	90 to 264 VAC (50 to 60 Hz)
Consumption:	
CamPac2:	27 watts average
Amplifier Unit:	80 watts (with CamPac2)

Control:

RS-232/RS-485:	9600, 19200, 38400, 115 K Baud Using Nucomm NU command protocol Side panel standard can be removed up to 100 ft away with optional control panel extender
----------------	---

Control Panel:

RF Output Power LED	
Alarm LED	
Power Control Knob:	High, Medium, Low, Standby, Power On/Off
Graphics LCD:	Displays fault condition, RF power input from CamPac, RF power output and internal temperature

Connectors:

RF Input Connector:	"N" (F)
RF Output Connector:	"N" (F)
Remote Control:	DB9-F
AC/DC Power:	Military style multi-pin

Physical:

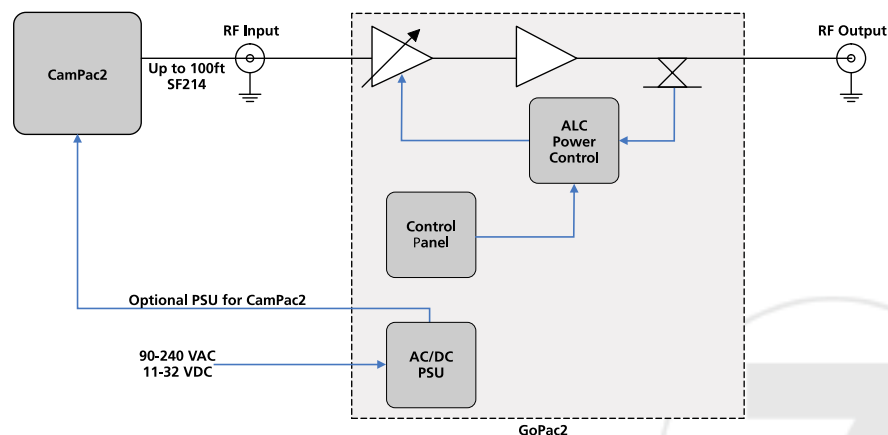
Amplifier Docking Station:	
Size:	6.8" H x 13" W x 17" D (17.27 x 33 x 43.2 cm)
Weight:	8.8 lbs (4 kg)

Environmental:

Amplifier Docking Station:	
Temperature Operational:	-30° to +60° C

Note: See CamPac2 data sheet for more detailed specifications on the encoder and modulator.

GoPac2 Transmission System



Nucomm reserves the right to make changes to specifications of products described in this datasheet at any time without notice and without obligation to notify any person of such changes.

079_07_08



101 Bilby Road, Hackettstown, New Jersey 07840 USA
T.908.852.3700 F.908.813.0399 ■ www.nucomm.com
RF Extreme Sales ■ 877.732.5250 ■ www.rfextreme.com